

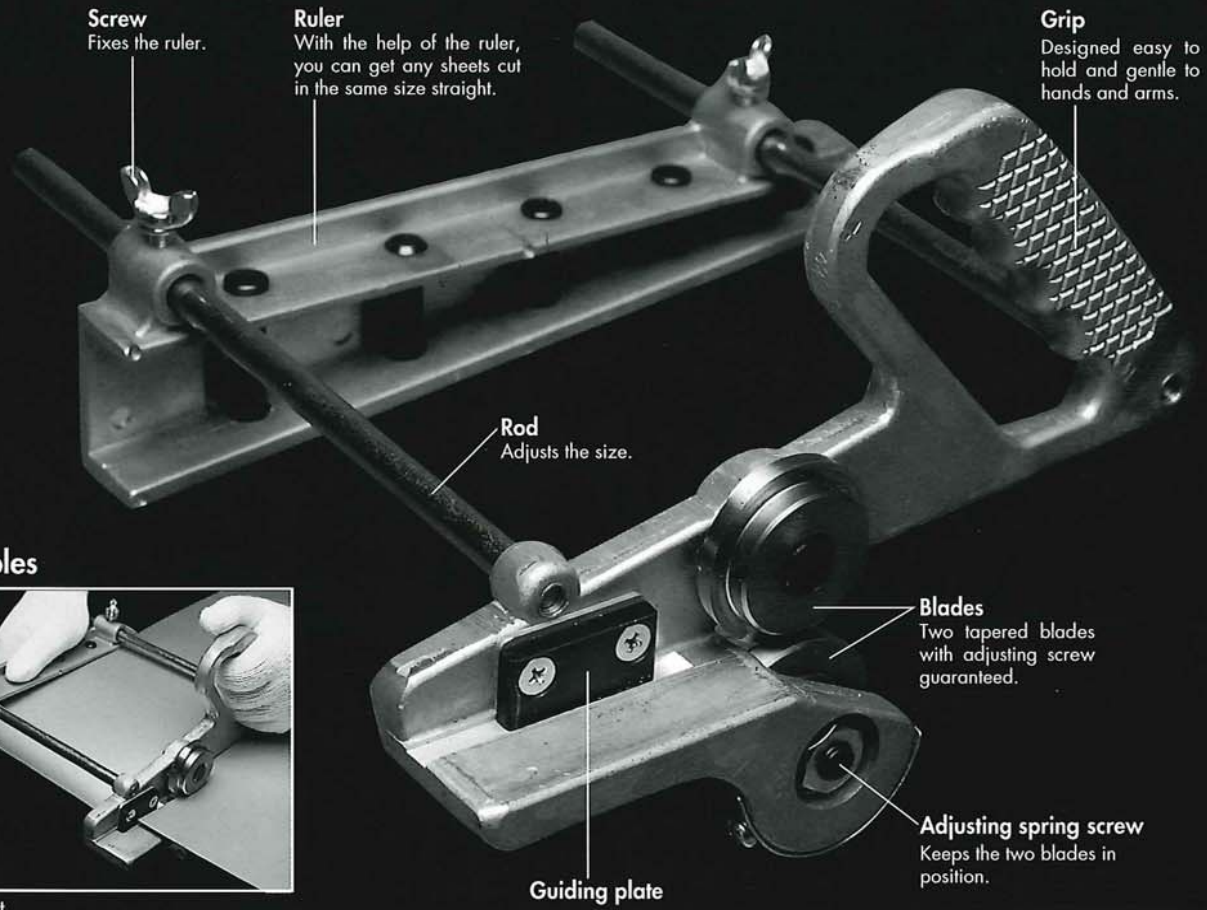


# KIICHI

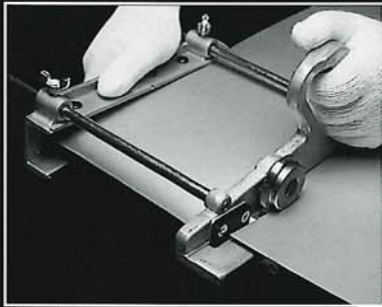
# OT CUTTER

OT CUTTER is a very light handy cutter which cuts not only any type of metal but rubber sheet or carton box.

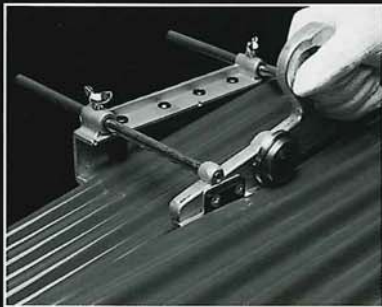
Length : 240mm  
Width : 160mm  
Weight : 1kg (aluminium framed)



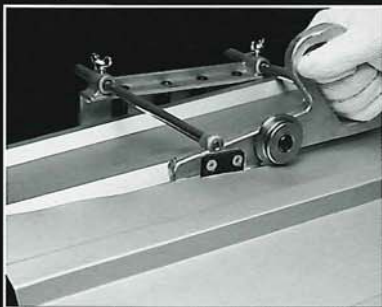
### Examples



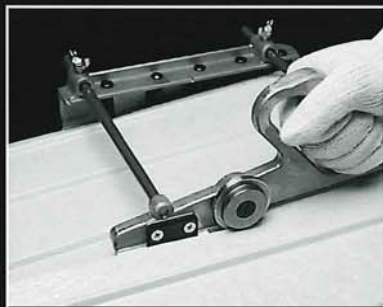
Flat sheet



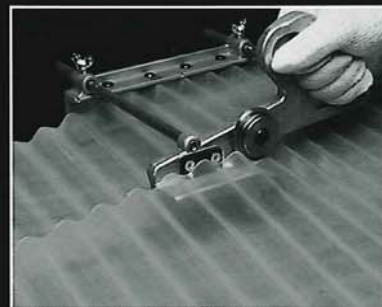
Corrugated sheet



Rib formed sheet



Siding sheet



Corrugated plastic board

### Maximum thickness of material

(mm)

Steel	0.4	Zinc	0.8
Galvanized steel	0.4	Polyvinyl chloride board	3.0
Stainless steel	0.4	Plastic board	3.0
Copper	0.7	Veneer board	3.0

Carton boxes and rubber sheets can be also cut easily.

THE KIICHI TOOLS CO.,LTD.



Itachibori 3-8-14  
Nishi-ku, Osaka, 550-0012, JAPAN

Phone: +81-6-6538-1531  
Fax : +81-6- 6534-1260  
<http://www.kiichi.co.jp>